

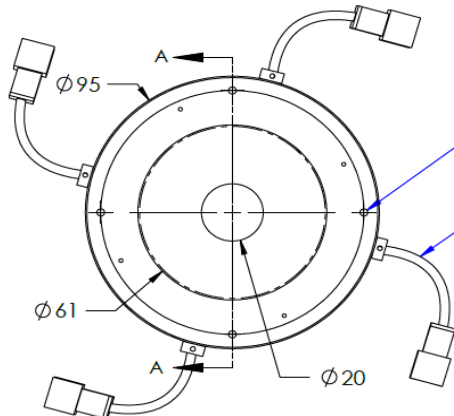
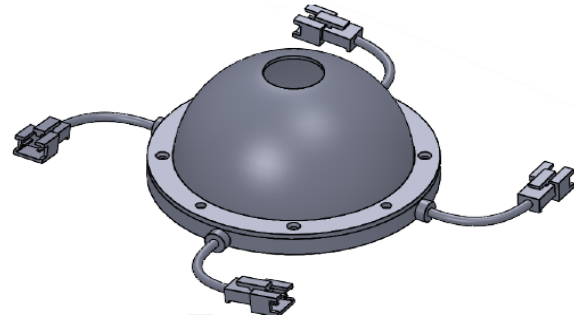
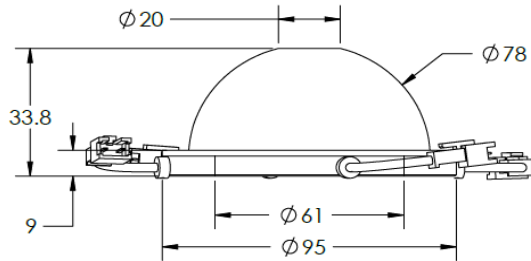


OPTO ENGINEERING

# ILLUMINATOR DATA

LT5WRG070-00-1-W-24V-CH4

## Lighting Dimension



PCD  $\phi 85$   
 $\phi$  4X TAP M3X0.5  
THRU ALL  
4X CONNECTOR  
50CM CABLE

SECTION A-A



Mechanical Information	
Casing Material	Aluminium
Storage Temperature Range	0 - 45°C
Storage Humidity Range	20 - 85%
Weight	138 g
Length / Outer Diameter	95 mm
Width / Inner Diameter	20 mm
Thickness / Height	33.8 mm

# ILLUMINATOR DATA

## LT5WRG070-00-1-W-24V-CH4

Lighting Information																														
Part Number	LT5WRG070-00-1-W-24V-CH4																													
Channel	CH1			CH2			CH3			CH4																				
LED Color	WHITE																													
Wavelength	*Refer to the Chromaticity Table below																													
Working Distance	20 mm	30 mm	50 mm	20 mm	30 mm	50 mm	20 mm	30 mm	50 mm	20 mm	30 mm	50 mm																		
Intensity (±15%)	73000 lx	41200 lx	23100 lx	73000 lx	41200 lx	23100 lx	73000 lx	41200 lx	23100 lx	73000 lx	41200 lx	23100 lx																		
Illumination (number of row)	1																													
Illumination Active Area	Active Length / Outer Dia.			61 mm																										
	Active Width / Inner Dia.			61 mm																										
Emission angle	0																													
Eye Safety Class ( IEC62471 )	EXEMPT																													
Chromaticity Table For White colour only	<table border="1"> <tr><td>X</td><td>0.296</td><td>0.287</td><td>0.307</td><td>0.311</td></tr> <tr><td>Y</td><td>0.276</td><td>0.295</td><td>0.315</td><td>0.294</td></tr> </table>					X	0.296	0.287	0.307	0.311	Y	0.276	0.295	0.315	0.294	<table border="1"> <tr><td>X</td><td>0.311</td><td>0.307</td><td>0.33</td><td>0.33</td></tr> <tr><td>Y</td><td>0.294</td><td>0.315</td><td>0.339</td><td>0.318</td></tr> </table>					X	0.311	0.307	0.33	0.33	Y	0.294	0.315	0.339	0.318
X	0.296	0.287	0.307	0.311																										
Y	0.276	0.295	0.315	0.294																										
X	0.311	0.307	0.33	0.33																										
Y	0.294	0.315	0.339	0.318																										

Electrical Information				
Rated Constant Voltage	24V±2%			
Rated Constant Current	420 mA	420 mA	420 mA	420 mA
Power Consumption	10.08 W	10.08 W	10.08 W	10.08 W
Casing temperature, After 60 minutes operation	54.6 °C			
Max. continous current of RED, GREEN & BLUE LEDs on at the same time	*It is not recommended to turn on Red, Green and Blue colour at the same time. Refer to Maximum Simultaneous Current Output section in the last page for maximum current that can be supplied for each colour. Failure in following this may results in damaging the lighting.			


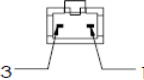
Strobe Mode Specification				
**Normal Strobe Voltage	24 V			
**Normal Strobe Current	420 mA	420 mA	420 mA	420 mA
Overdrive Voltage Range	Min: 36 V Max: 48 V	Min: 36 V Max: 48 V	Min: 36 V Max: 48 V	Min: 36 V Max: 48 V
Overdrive Current Range	Min: 0.97 A Max: 1.62 A	Min: 0.97 A Max: 1.62 A	Min: 0.97 A Max: 1.62 A	Min: 0.97 A Max: 1.62 A
Max. pulse current of RED, GREEN & BLUE LEDs on at the same time	*It is not recommended to turn on Red, Green and Blue colour at the same time. Refer to Maximum Simultaneous Current Output section in the last page for maximum current that can be supplied for each colour. Failure in following this may results in damaging the lighting.			
Recommended Overdrive Voltage	36 V			
***Max. Trigger Pulse Duration	10 msec			
***Max. Duty Cycle	10%			

\*\*Normal strobe means the lighting is operated using the rated power. Overdrive means the power supplied to the lighting exceeded the rated power.

\*\*\*Overdrive condition must not exceed the max. trigger pulse duration and max. duty cycle. Failure in following this may results in damaging the lighting.

# ILLUMINATOR DATA

## LT5WRG070-00-1-W-24V-CH4

Connection Information			
Connector Type (Default)	JST SMR-03V		
Cable Length	50 cm		
Pin Configuration 	Pin	Signal	Cable Colour
	1	LED +	Red
	2	N.C	-
	3	LED -	White
			

Additional Information	
Additional Cooling Method	Attached to machine part for better heat dissipation
Intensity Controller Selection	SD, ST, ANG, LC, SDA, SDP series
CE Conformity	YES
RoHS Compliance	YES

Application	
Illumination Type	Diffused Illumination
Application Use	Character Recognition on Shining Surface, Lead Inspection



# ILLUMINATOR DATA

LT5WRG070-00-1-W-24V-CH4

Lighting Pattern																																											
Working Distance	For further details please contact us																																										
Display and Image																																											
Data Results	<table border="1"> <thead> <tr> <th>Horizontal</th> <th>Meas.(mm)</th> </tr> </thead> <tbody> <tr><td>90%</td><td></td></tr> <tr><td>80%</td><td></td></tr> <tr><td>70%</td><td></td></tr> <tr><td>60%</td><td></td></tr> <tr><td>50%</td><td></td></tr> <tr><td>40%</td><td></td></tr> <tr><td>30%</td><td></td></tr> <tr><td>20%</td><td></td></tr> <tr><td>10%</td><td></td></tr> </tbody> </table>	Horizontal	Meas.(mm)	90%		80%		70%		60%		50%		40%		30%		20%		10%		<table border="1"> <thead> <tr> <th>Vertical</th> <th>Meas.(mm)</th> </tr> </thead> <tbody> <tr><td>90%</td><td></td></tr> <tr><td>80%</td><td></td></tr> <tr><td>70%</td><td></td></tr> <tr><td>60%</td><td></td></tr> <tr><td>50%</td><td></td></tr> <tr><td>40%</td><td></td></tr> <tr><td>30%</td><td></td></tr> <tr><td>20%</td><td></td></tr> <tr><td>10%</td><td></td></tr> </tbody> </table>	Vertical	Meas.(mm)	90%		80%		70%		60%		50%		40%		30%		20%		10%		
Horizontal	Meas.(mm)																																										
90%																																											
80%																																											
70%																																											
60%																																											
50%																																											
40%																																											
30%																																											
20%																																											
10%																																											
Vertical	Meas.(mm)																																										
90%																																											
80%																																											
70%																																											
60%																																											
50%																																											
40%																																											
30%																																											
20%																																											
10%																																											